









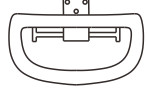
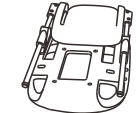




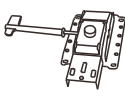
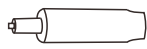



HARDWARE

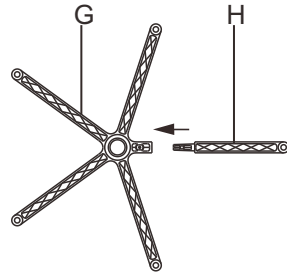
1  M6*25MM(6PCS)	2  M6*20MM(11PCS)
3  M8*25MM(3PCS)	4  M6*20MM(1PCS)
5  M8	6  8*22*1.5MM(3PCS)
7  1PC	8  2PCS(1left,1right)

INCLUDED PARTS

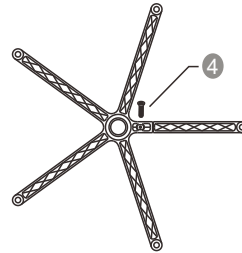
A  1PC	B  1PC
C  1PC	D  1PC
E  1PC	F  2PCS(1left,1right)
G  1PCS	H  1PCS
I  1PCS	J  1PCS
K  5PCS	

INSTRUCTION

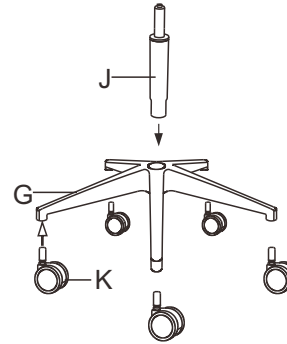
Step 1



Step 2

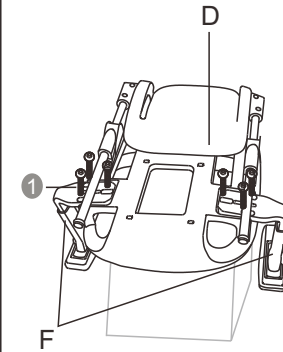


Step 3



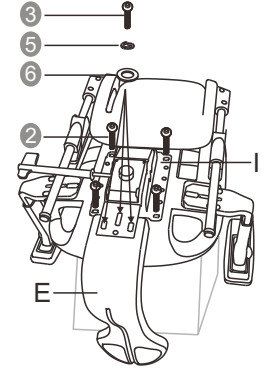
J x 1 / G x 1 / K x 5

Step 4



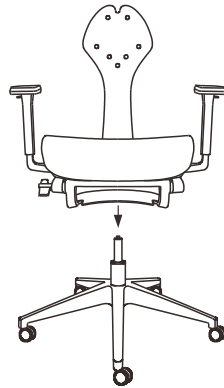
M6*25(6PCS) D x 1 / F x 1

Step 5

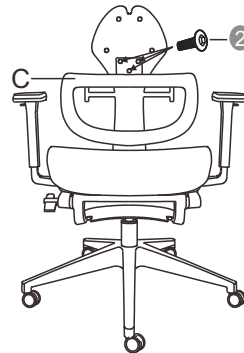


M6*20(4PCS) I x 1
M8*25(3PCS) M8
8*22*1.5MM(3PCS) E x 1

Step 6



Step 7



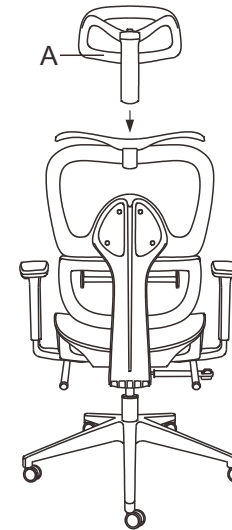
M6*20(3PCS) C x 1

Step 8



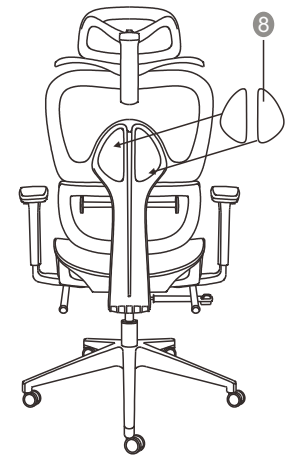
M6*20(4PCS) B x 1

Step 9



A x 1

Step 10



2PCS(1left,1right)